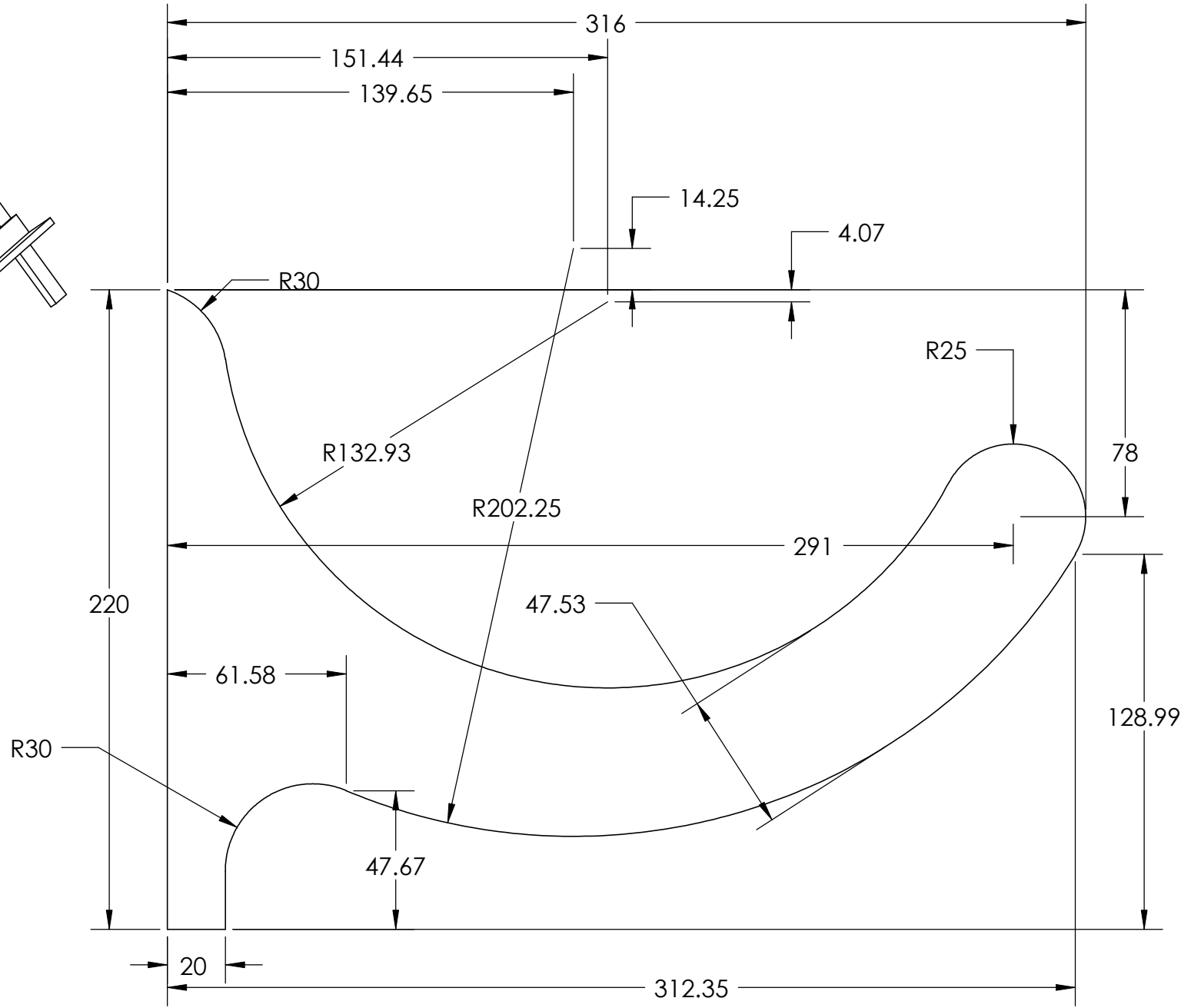
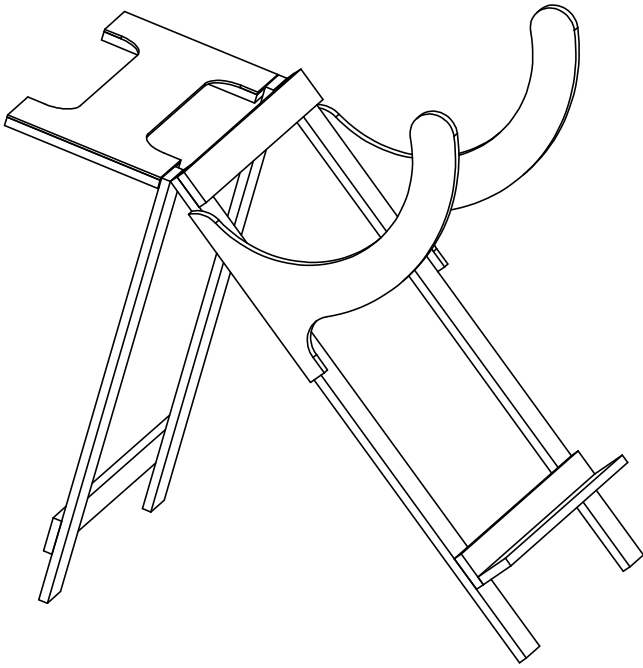
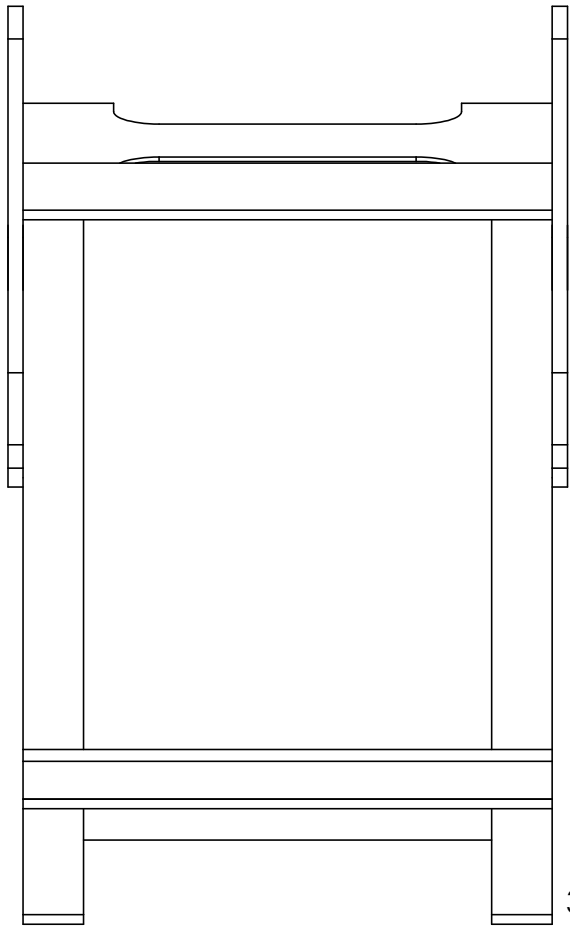


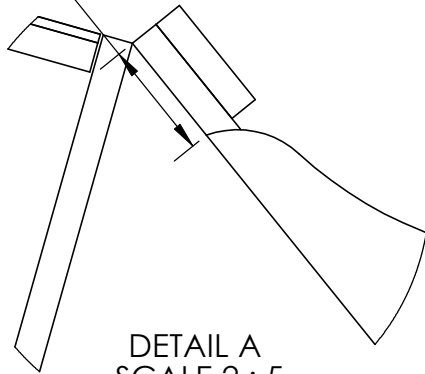


ITEM NO.	PART NUMBER	DESCRIPTION	QTY.
1	Assem1		1
2	Assem2		1
3	LOW_STAN		1

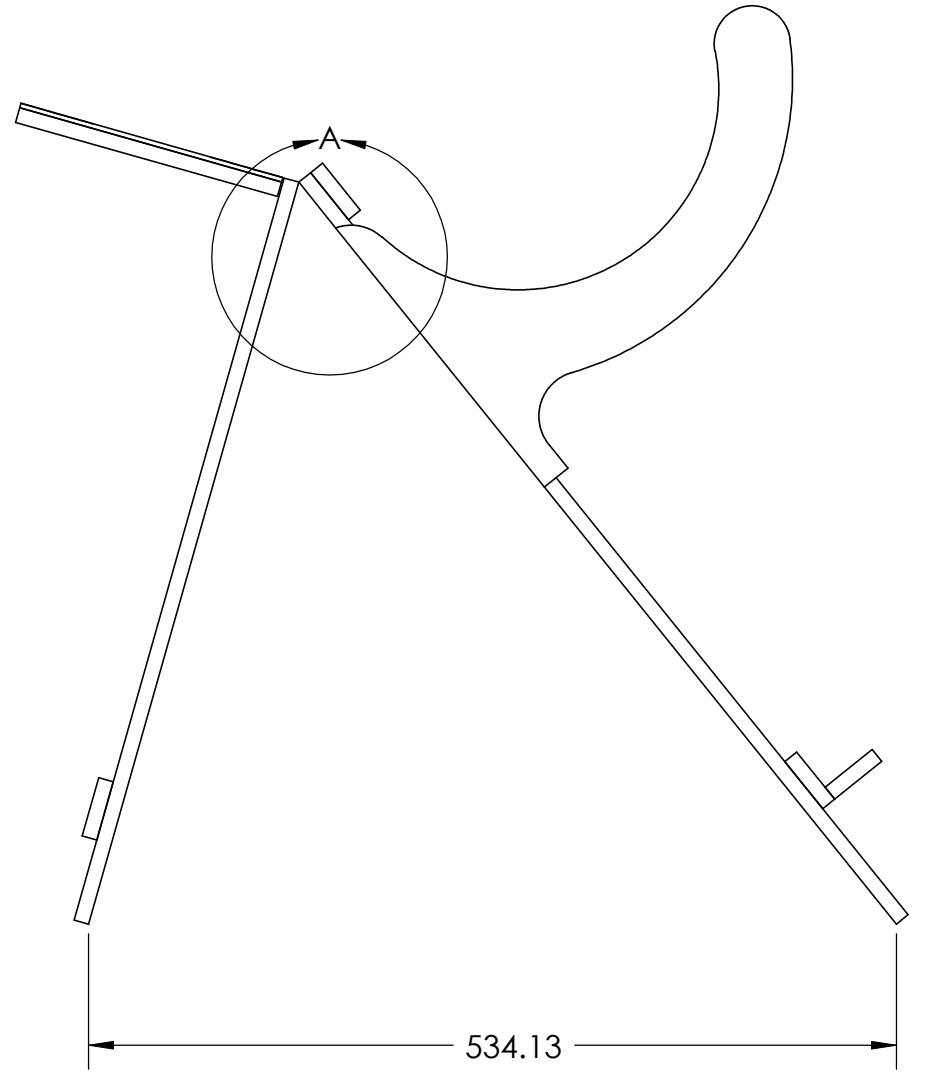




39



DETAIL A
SCALE 2 : 5



534.13

